



MP Antenna, LTD.
147 Eady Court
Elyria, Ohio 44035

440.387.5968 phone
440.545.3500 fax
www.mpantenna.com
sales@mpantenna.com

Part Number: 08-ANT-0927

model number: 08-ANT-0927
product description: 4.9-4.99GHz Mobile Public Safety Antenna

Electrical Data

frequency range:	4.9-4.99GHz
gain:	6dBi
vswr:	<1.2:1
horizontal pattern type:	Omni-Directional
vertical patter type:	Hemispheric
ground plane:	Not Included
min ground plane :	N/A

Environmental Data

environmental cond.:	Outdoor
operation temperature:	-40 to 85 deg C
storage temperature:	-40 to 85 deg C
transport temperature:	-40 to 85 deg C
IP Rating:	IP67
RoHS - REACH	Compliant

General Data

color:	Black or White
antenna feeds:	One
coax length:	N/A
coax type:	N/A
connector type:	N-Female
polarization:	Multi-Polarized
power:	50 Watts Input
impedance:	50 ohms Nominal
construction:	UV Stabilized ASA

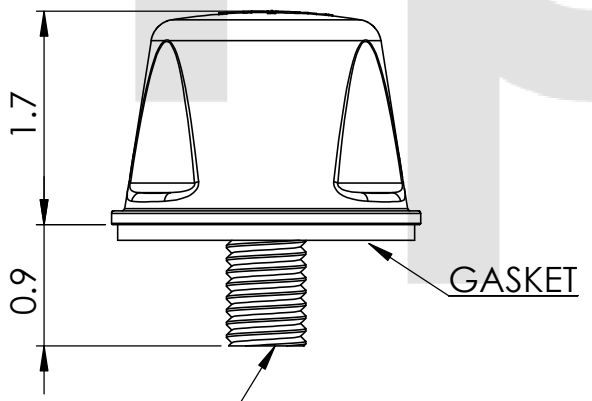
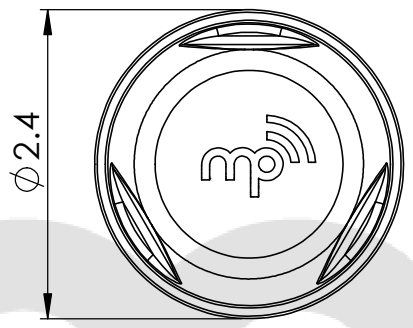
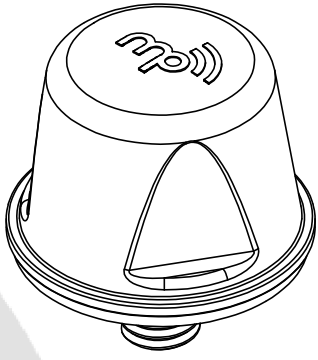
Mechanical Data

length:	2.5 in
width:	2.5 in
height:	1.75 in
mounting type:	Surface
hardware included:	Nut and Washer
weight:	2.6 oz

*** With built in spatial and polarization diversity, performance in obstructed environments is greater than that of standard antennas with similar or higher laboratory gains.**

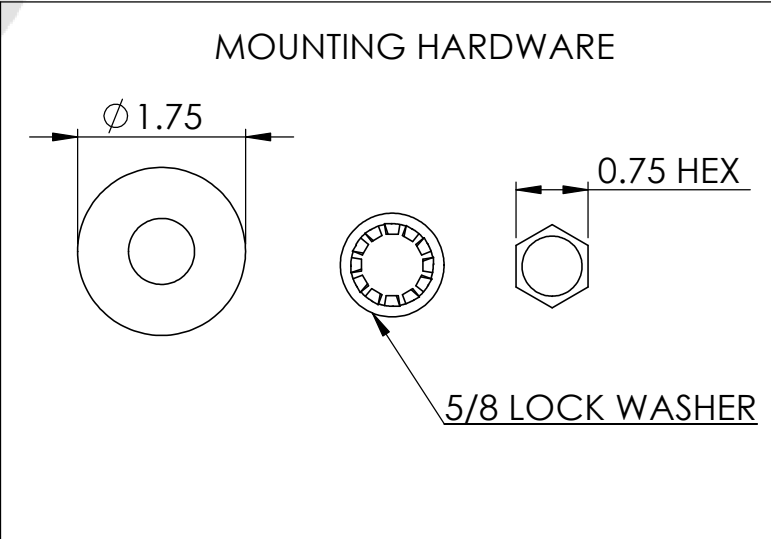


FREQUENCY RANGE	MOUNTING HOLE DIAMETER	MAX MOUNTING SURFACE THICKNESS	COLOR
4.9-4.99 GHz	0.65 INCHES MIN 1.0 INCHES MAX	0.1 INCHES	BLACK



N-FEMALE CONNECTOR

GASKET



MOUNTING HARDWARE

Ø 1.75

0.75 HEX

5/8 LOCK WASHER

MP ANTENNA, LTD.
147 Eady Court
Elyria, OH 44035
www.mpantenna.com

THIRD ANGLE	DIMENSIONS ARE IN INCHES	
	NAME	DATE
DRAWN	BM	1/2/15

PROPRIETARY AND CONFIDENTIAL
THE INFORMATION CONTAINED IN THIS DRAWING IS THE SOLE PROPERTY OF MP ANTENNA, LTD. ANY REPRODUCTION IN PART OR AS A WHOLE WITHOUT THE WRITTEN PERMISSION OF MP ANTENNA LTD IS PROHIBITED.

DESCRIPTION:
4.9 GHz OMNI

PART NO.
08-ANT-0927



MP Antenna, LTD.
147 Eady Court
Elyria, Ohio 44035

440.387.5968 phone
440.545.3500 fax
www.mpantenna.com
sales@mpantenna.com

Part Number: 08-ANT-0927

model number: 08-ANT-0927
product description: 4.9-4.99GHz Mobile Public Safety Antenna

Frequency: 4.95GHz
Max Gain: 6dBi

